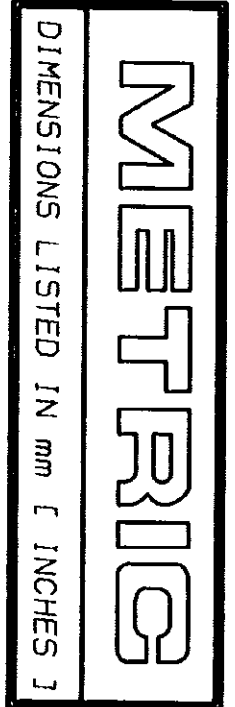
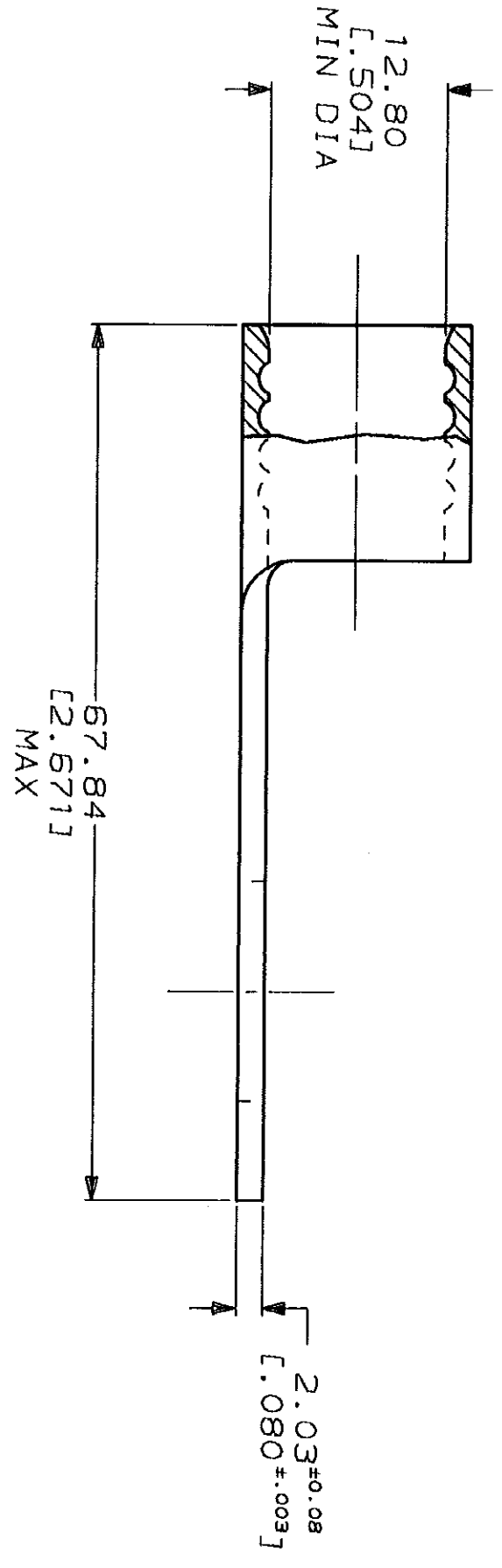
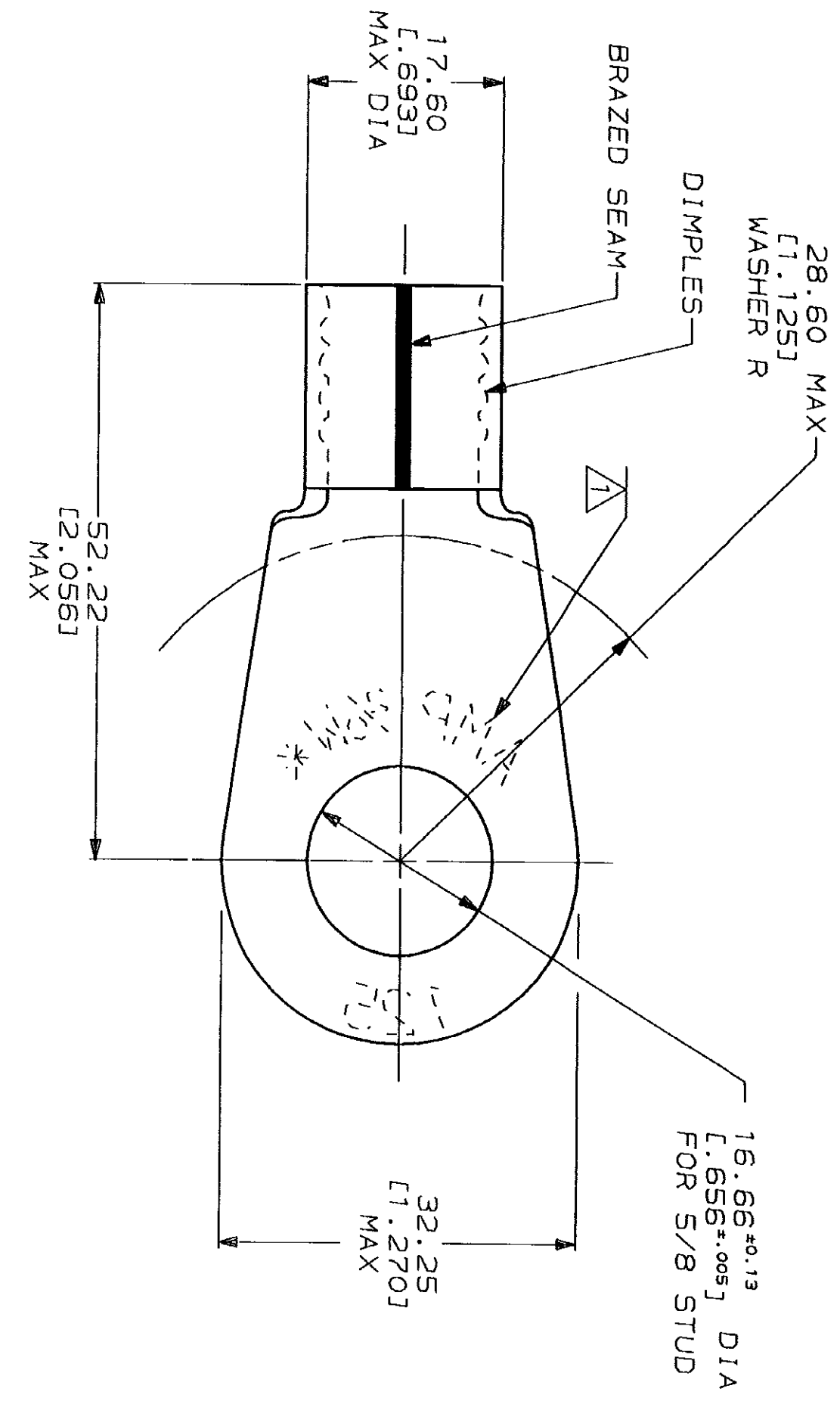


LOC	DIST	ZONE	LTR	DESCRIPTION	DATE	APPO
G	14	P	C	REVISED & REDRAWN PER 0720-0120-93	8/4/93	AS



AMP WIRE RANGE	UL E13288 Listed
2/0 AWG SOLID OR STRANDED	2/0 AWG STRANDED
LR7189 Certified	MILITARY P/N AND CLASS
2/0 AWG SOLID OR STRANDED	NOT APPLICABLE



△ STAMP AMP 2/0W* 125 APPROX AS SHOWN

**AMP INCORPORATED
 CUSTOMER SERVICE SYSTEMS**

FOR ADDITIONAL PRODUCT INFORMATION OR COPIES OF DRAWINGS AND TECHNICAL DOCUMENTS	PRODUCT INFORMATION CENTER 1-800-522-6752	VOLTAGE RATING: NOT APPLICABLE	MAX RECOMMENDED OPERATING TEMPERATURE: 170°C MAX
FOR APPLICATION TOOLING INFORMATION	TOOLING ASSISTANCE CENTER 1-800-722-1111	CIRCULAR MIL AREA: 60.6-76.3mm² [119,500-150,500] CIR MILS SOLID OR STRANDED	
FOR ORDER ENTRY	1-800-526-5142		

DO NOT SCALE PRINT. UNLESS SPECIFIED DIMENSIONS IN mm [INCHES] TOLERANCES ON: 2 PLC DEC ± 0.20 [1.008] 3 PLC DEC ± ANGLES ±	FINISH TIN PLATE 0.00254 [1.000100] MIN THK PER MIL-T-10727
MATERIAL COPPER PER ASTM B-152 ANNEALED	

DR 8/4/93 DK SCHRUM	NAME
CHK 8/5/93 AJ KAUFMAN	AMP Incorporated Harrisburg, PA 17105-3508
APPD 8/5/93 RE ROSER	
APPD 8/5/93 JL HECKLEY	
PRODUCT SPEC	
APPLICATION SPEC	
WEIGHT	

SIZE	CAGE CODE	DRAWING NO
SCALE 2:1	00779	322224
TERMINAL, RING TONGUE, SOLISTRAND™		
AMP INCORPORATED HARRISBURG, PA 17105-3508		

322224
 PART NO